

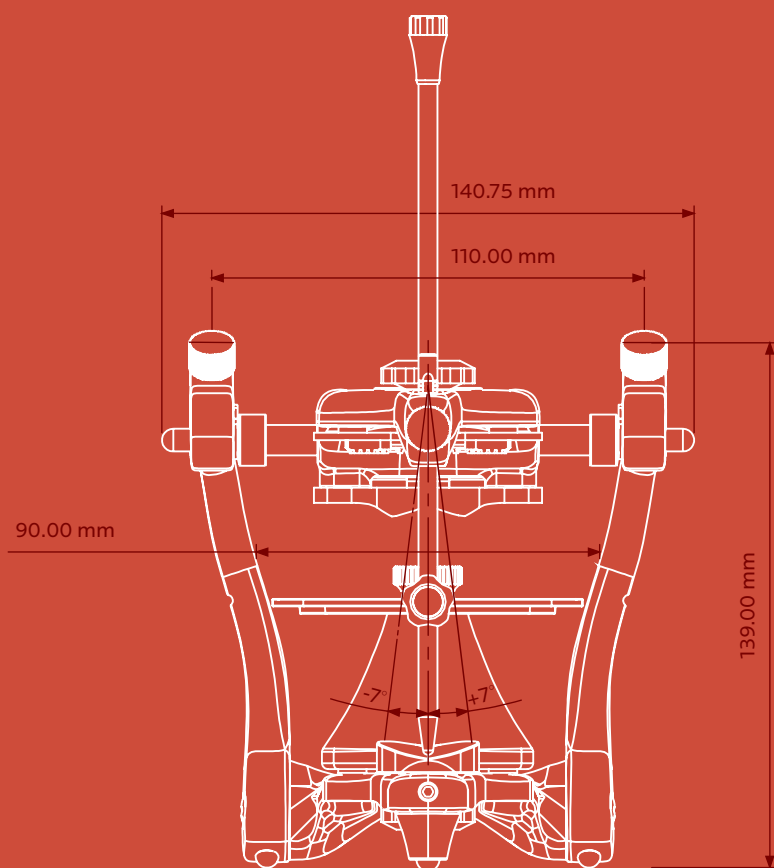
ASA DENTAL

MAKE PEOPLE SMILE

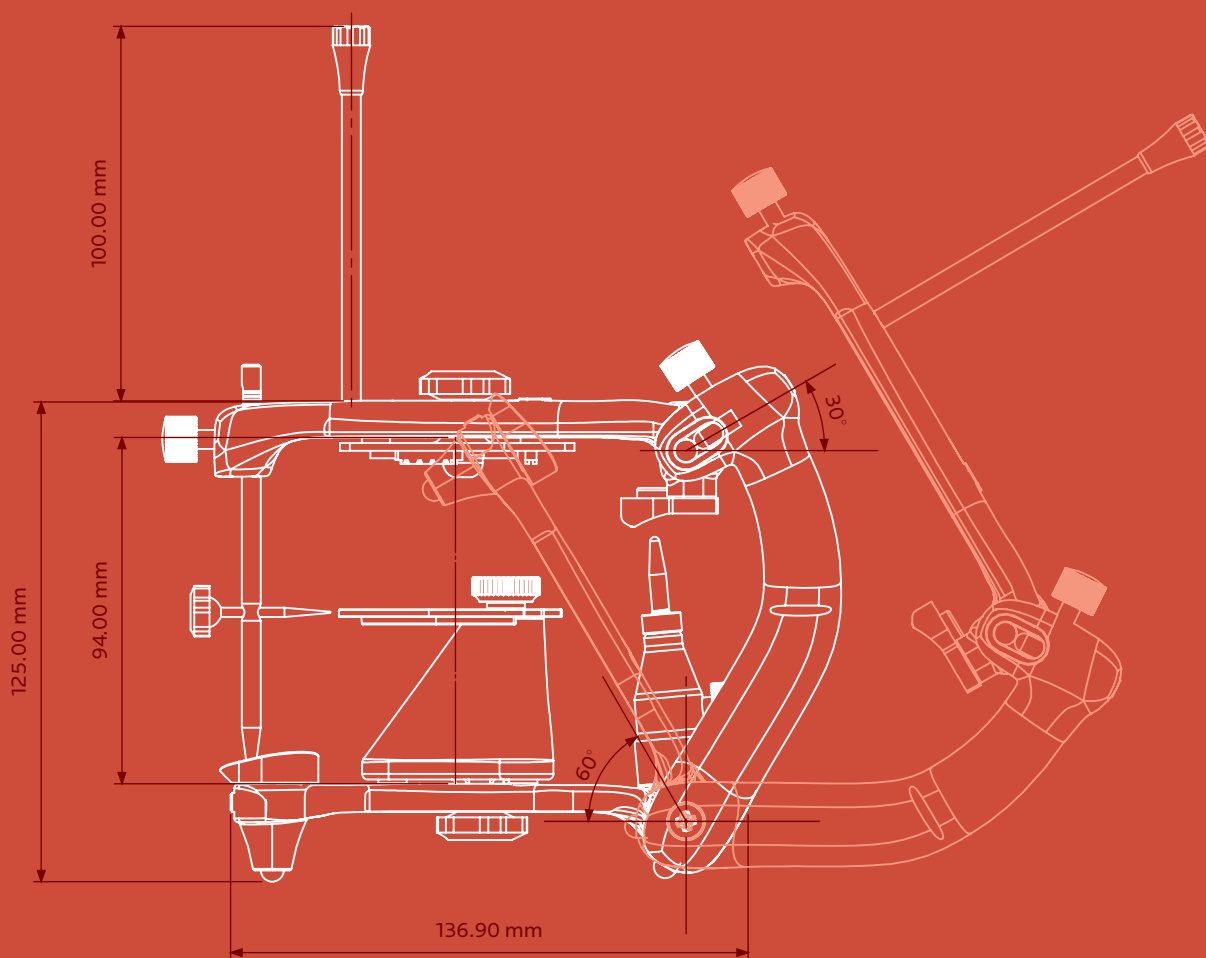


5050Plus
5050

TECHNICAL SHEET



5050 and 5050Plus are non-Arcan average value articulators designed to help dental technicians meet dentists' requests for high precision regardless of the prosthetic technique. A light, stable and ergonomic construction facilitates set-up and work on any models. Additional features guarantee an exact simulation of the condylar path with a high fitting accuracy, giving prosthesis and restorations the necessary occlusion and function throughout the full range of mandibular movements.



5050Plus

FEATURES

- stable 60° operation for technician comfort
- ideal for class iii patients
- compatible with any pressure polymerizers
- anti-rotation system for incisal rod
- total stability when working without incisal rod
- ideal for upper arches models
- mounting plate for lower arches models
- magnetic incisal rod for total stability



5050Plus is the most versatile articulator that complements Asa Dental laboratory instruments. 5050Plus is available as a standalone product or as an upgrade of 5050, with the addition of few accessories. Offering all the standard features of 5050,

with a dedicated mounting plate the articulator becomes the ideal solution for all the techniques based on building the prosthetics on lower arches while a magnetic incisal rod safely prevents undesired alteration of the model during cast solidification.

Simple, accurate and ergonomic, 5050Plus represents our best solution for dental technicians asking for a flexible and reliable average value, non-Arcon articulator.

5050

FEATURES

- stable 60° operation for technician comfort
- ideal for class III patients
- compatible with any pressure polymerizers
- anti-rotation system for incisal rod
- total stability when working without incisal rod
- ideal for upper arches models



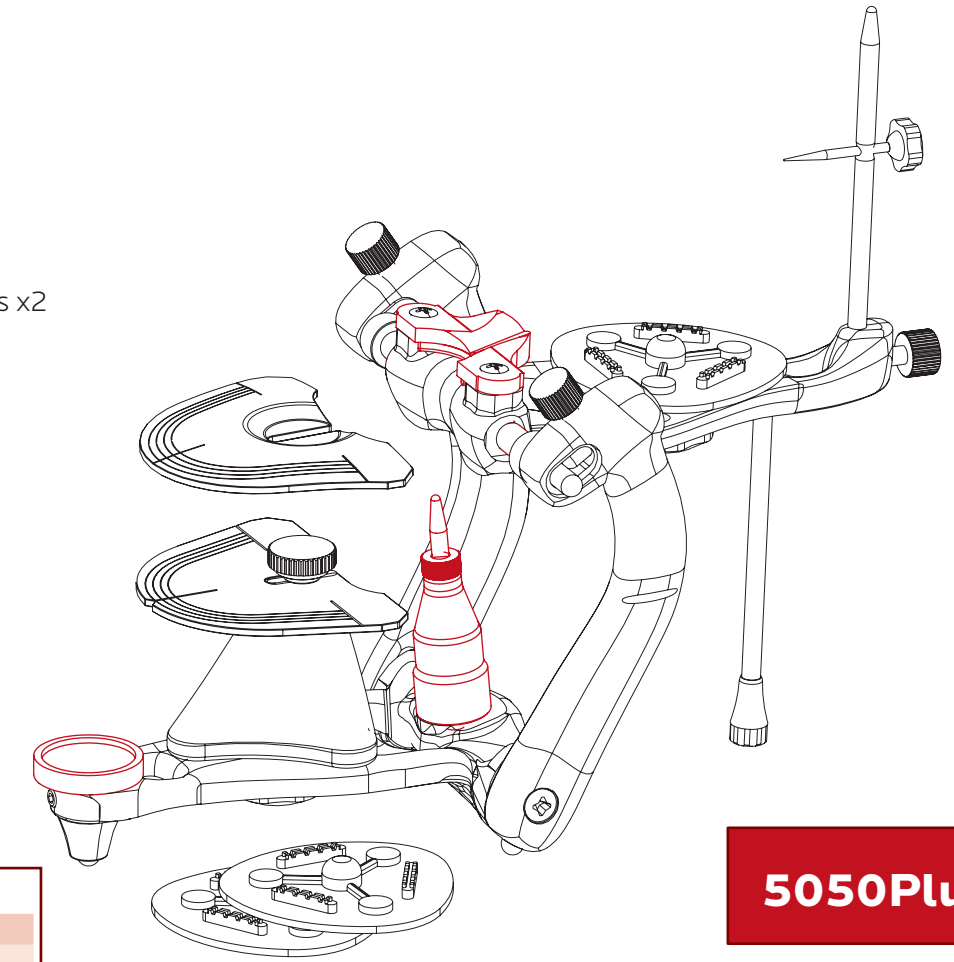
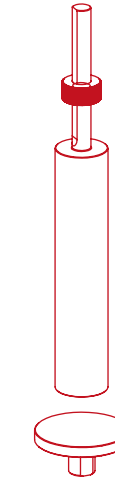
5050 can conveniently work with dentures of many different sizes and any electronic pressure polymerizers available on the market. Designed to obtain optimal ergonomics, it offers complete stability when the technician comfortably works at 60°

or upside down, in case of class III edentulous patients. The anti-rotational system for the incisal rod ensures that positioning is always correct and accurate, while the back blocking systems allows removing the rod and conveniently working on incisors. When

the technique requires starting from one of the upper arches, the mounting plate helps regardless the size of the arch with clear indication of elliptic references. Finally, 5050 is extremely versatile and it can be upgraded to 5050Plus by adding few accessories.

includes:

- incisal table @ 0°
- inclined contrast table
- back rod
- magnetic rod with ferrule
- table for magnetic rod
- template
- additional mounting plates x2



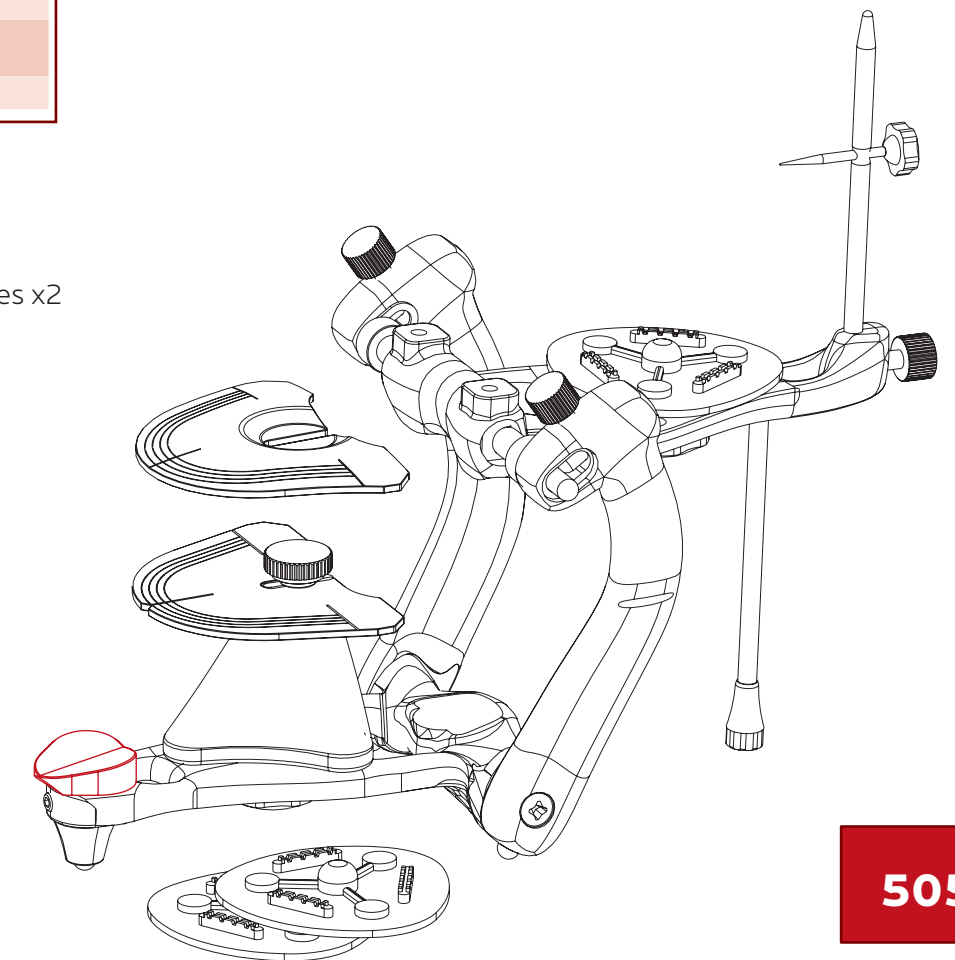
5050Plus

TECHNICAL DATA

intercondylar distance	110 mm
condylar inclination	fixed at 30°
bennet angle	fixed at 7°
incisal table inclination	0° (5050Plus) 10° (5050)
distance between mounting plates	94 mm
opening	180°

includes:

- incisal table @ 10°
- template
- additional mounting plates x2



5050

HEAD OFFICE

Asa Dental S.p.A.

Via Valenzana di Sopra, 60 - Bozzano
55054 Massarosa (Lu) - Italy
Tel. +39 0584 938305 - 93363 - 938306
Fax +39 0584 937167
asadental@asadental.it
www.asadental.com

OPERATING UNITS

Via Sarzanese Valdera, 1331 - Bozzano
55054 Massarosa (Lu) - Italy

PLANTS

Via delle Piagge, 1/A - Marlia
55014 Capannori (Lu) - Italy

Via Fierla, 13 - Z.I.
33085 Maniago (Pn) - Italy

Asa Dental USA

131 Jericho Turnpike, Suite 202
Jericho - New York 11753 - USA

Asa Dental CHINA

Room 315, Huaying Building,
Zhong Xin Avenue
Tianjin Airport Economic Area
Tianjin - China

Asa Dental UAE

Dubai South Business Center
Building C, 3rd Floor
Dubai Logistics City
PO Box 390667
Dubai - UAE

